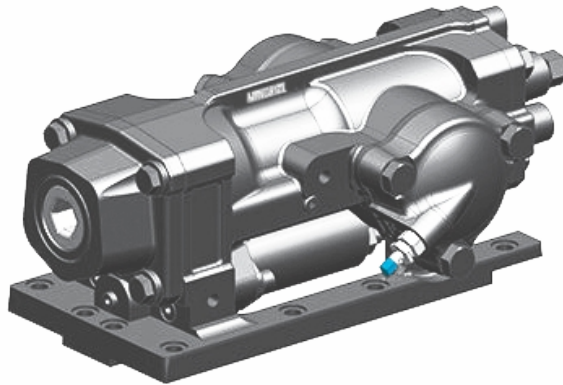


MEX1 Drifter

The MEX1 hydraulic drifter by Mindrill is a compact percussive top hammer rock drill with low profile height that can be used for holes of upto 45mm in diameter. This can be mounted on drill rigs and be used for a variety of applications including foundation drilling, road cutting, trenching, bolting and line drilling in stone quarries along with other special applications. Mindrill encourages its customers to use biodegradable oils for hydraulic and shank lubrication for a greener environment.



Key Features:

- Sleek and modular design for granite and marble industry
- Compatible with light drill rigs
- Efficient damping system to reduce friction and ease dismounting
- Ability to control percussion frequency and energy for optimal utilization of energy
- High penetration rate
- High power to weight ratio
- Low maintenance cost

Options:

- Chuck sizes - 19 mm X 108 mm (3/4"X4 1/4"), 22 mm X 108 mm (7/8"X4 1/4") & 25 mm X 108 mm(1"X4 1/4")

SPECIFICATIONS

	Metric	Imperial
Weight	50 kg	110 lb
Hole diameter drilling	22 mm - 45 mm	7/8" - 1 3/4"
Power class	6.5 kW	8.7 BHP
Percussion rate	70 - 88 Hz	
Operating pressure	Percussion: 100 - 180 bar Rotation (max. continuous): 100 bar (OMM20, 32) Rotation (max. intermittent): 70 bar (OMM50)	Percussion: 1450 - 2610 psi Rotation (max. continuous): 1450 psi (OMM20, 32) Rotation (max. intermittent): 1015 psi (OMM50)
Rotation motor type	OMM20, OMM32, OMM50	

Ordering Part Numbers:

19 mm X 108 mm (3/4"X4 1/4")	5113 207 000 19
22 mm X 108 mm (7/8"X4 1/4")	5113 207 000 22
25 mm X 108 mm (1"X4 1/4")	5113 207 000 25

MANUFACTURING SYSTEMS CERTIFIED BY TUV NORD ISO 9001:2008

MINDRILL SYSTEMS & SOLUTIONS PVT. LTD. is constantly striving to improve it's products and therefore reserves the right to modify materials, specifications and designs without prior notice. Technical data described here corresponds with the available information at the time of issue of design.

Mindrill Systems & Solutions Pvt. Ltd.
NH6, Domjur Mahiary Road, Vill-Biparnapara, P.O-Begri, P.S-Domjur,
Near Saraswati Bridge-Domjur, Howrah-711411, West Bengal, India.

Export Sales: +91 98303 92522 | Domestic Sales: +91 98303 06673

Website: www.mindrill.com
E-mail: marketing@mindrill.com

BUILT IN INDIA