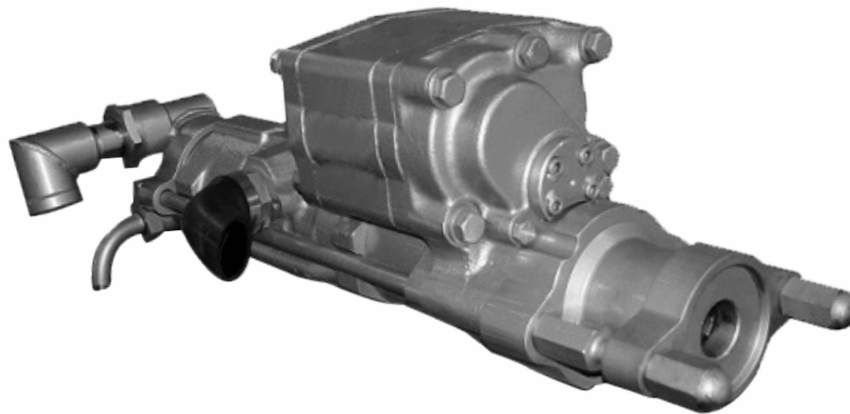


# MD36IR Drifter

Mindrill's MD36IR pneumatic drifter rock drill is a customer favourite with an independent rotation system. Apart from its precise build and premium quality, there are several reasons behind this being the current market leader, like its high penetration rate, robust build, and low air consumption. Its powerful, independent gear type motor provide high torque for use in a wide variety of conditions. Its independent hammer and rotation mechanism allow for adjustments to ensure optimal settings for every situation, along with easy coupling and uncoupling of drill steels. Designed exclusively for remote controlled applications, the MD36IR is mounted on feed systems and drill with a 144 mm diameter bore. For underground applications, the drill can be mounted on either screw or chain feed cradles and be used for development tunneling, fan hole, ring drilled blast holes, and long holes for water drainage. For surface jobs, it is the optimal choice for mounting on a track or wagon drill and is used for quarry benching, pre-splitting holes, and general purpose drilling.



## Key Features:

- Internally distributed lubrication system using atomized oil to ensure long life
- Market leading design
- Ideal for mounting on feed control systems
- Great return on investment
- Premium quality raw materials and sharp build

## SPECIFICATIONS

Part No. - 5113 104 000	Metric	Imperial
Length	1015 mm	40"
Weight	150 kg	330 lb
Stroke Length	86 mm	3 <sup>3</sup> / <sub>8</sub> "
Impact Rate	1630 BPM	
Air Consumption	233 l/s	494 cfm
Rotation Torque @ 215 RPM	320 N-m	236 ft-lbs
Bore Diameter	35 mm - 89 mm	1 <sup>3</sup> / <sub>8</sub> " - 3 <sup>1</sup> / <sub>2</sub> "
Max Reamed Diameter	127 mm	5"
Max Drilling Depth	46 m	150'
Air Connection	1 <sup>1</sup> / <sub>4</sub> " BSP	
Rotation Motor	1" BSP	

### MANUFACTURING SYSTEMS CERTIFIED BY TUV NORD ISO 9001:2008

MINDRILL SYSTEMS & SOLUTIONS PVT. LTD. is constantly striving to improve it's products and therefore reserves the right to modify materials, specifications and designs without prior notice. Technical data described here corresponds with the available information at the time of issue of design.

**BUILT IN INDIA**

Mindrill Systems & Solutions Pvt. Ltd.  
NH6, Domjur Mahiary Road, Vill-Biparnapara, P.O-Begri, P.S-Domjur,  
Near Saraswati Bridge-Domjur, Howrah-711411, West Bengal, India.

Export Sales: +91 98303 92522 | Domestic Sales: +91 98303 06673

Website: [www.mindrill.com](http://www.mindrill.com)  
E-mail: [marketing@mindrill.com](mailto:marketing@mindrill.com)