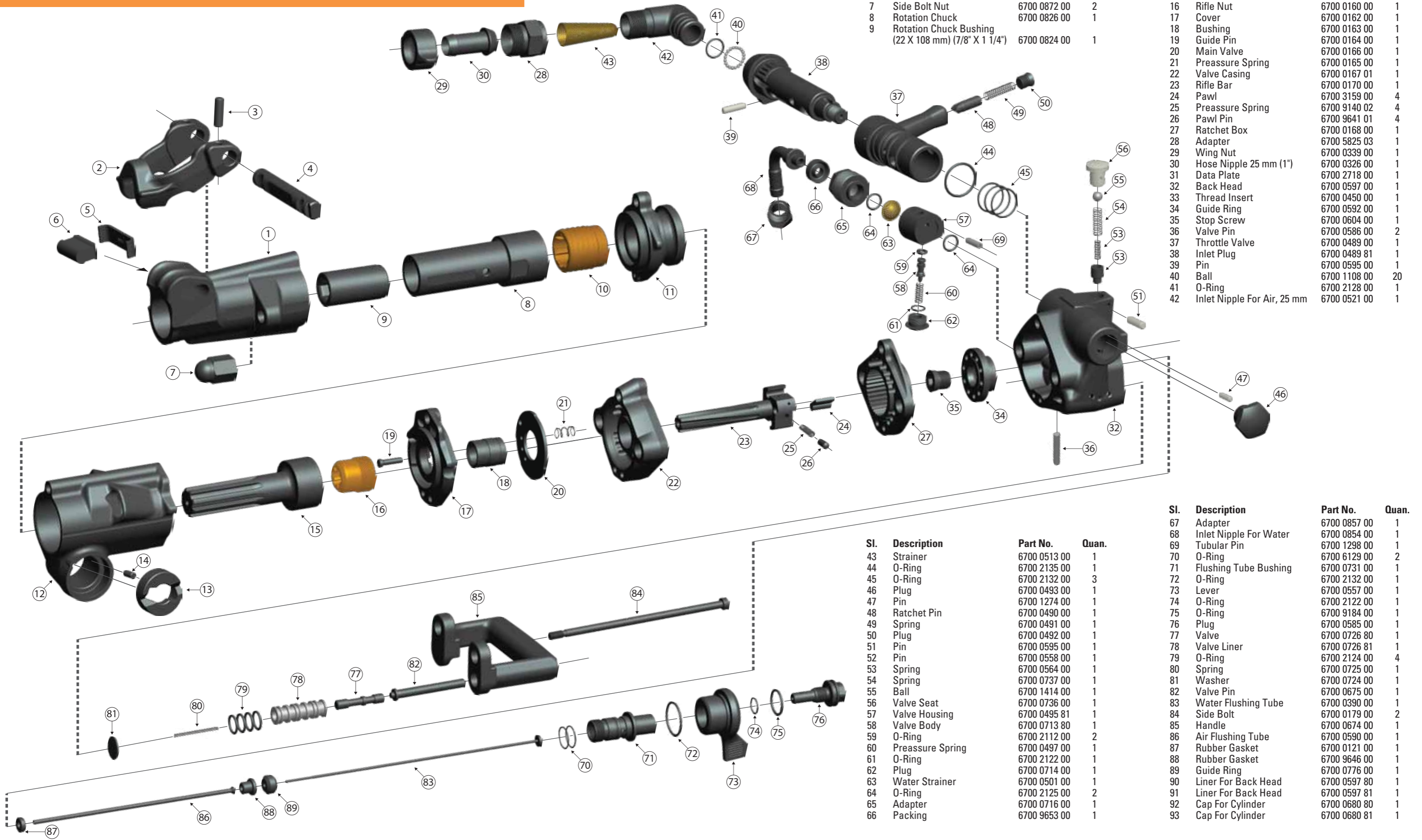


MINDRILL M670 Rock Drill



Sl.	Description	Part No.	Quan.
1	Front Head	6700 0154 00	1
2	Drill Steel Retainer	6700 0851 00	1
3	Tension Pin	6700 3392 00	2
4	Retainer Pin	6700 2925 00	1
5	Buffer Plate	6700 0029 00	1
6	Buffer	6700 0030 00	1
7	Side Bolt Nut	6700 0872 00	2
8	Rotation Chuck	6700 0826 00	1
9	Rotation Chuck Bushing (22 X 108 mm) (7/8" X 1 1/4")	6700 0824 00	1

Sl.	Description	Part No.	Quan.
10	Chuck Nut	6700 1220 00	1
11	Intermediate Part	6700 0158 00	1
12	Cylinder	6700 0680 00	1
13	Washer	6700 0599 00	1
14	Pin	6700 1274 00	1
15	Piston	6700 0159 00	1
16	Rifle Nut	6700 0160 00	1
17	Cover	6700 0162 00	1
18	Bushing	6700 0163 00	1
19	Guide Pin	6700 0164 00	1
20	Main Valve	6700 0166 00	1
21	Preassure Spring	6700 0165 00	1
22	Valve Casing	6700 0167 01	1
23	Rifle Bar	6700 0170 00	1
24	Pawl	6700 3159 00	4
25	Preassure Spring	6700 9140 02	4
26	Pawl Pin	6700 9641 01	4
27	Ratchet Box	6700 0168 00	1
28	Adapter	6700 5825 03	1
29	Wing Nut	6700 0339 00	1
30	Hose Nipple 25 mm (1")	6700 0326 00	1
31	Data Plate	6700 2718 00	1
32	Back Head	6700 0597 00	1
33	Thread Insert	6700 0450 00	1
34	Guide Ring	6700 0592 00	1
35	Stop Screw	6700 0604 00	1
36	Valve Pin	6700 0586 00	2
37	Throttle Valve	6700 0489 00	1
38	Inlet Plug	6700 0489 81	1
39	Pin	6700 0595 00	1
40	Ball	6700 1108 00	20
41	O-Ring	6700 2128 00	1
42	Inlet Nipple For Air, 25 mm	6700 0521 00	1

Sl.	Description	Part No.	Quan.
43	Strainer	6700 0513 00	1
44	O-Ring	6700 2135 00	1
45	O-Ring	6700 2132 00	3
46	Plug	6700 0493 00	1
47	Pin	6700 1274 00	1
48	Ratchet Pin	6700 0490 00	1
49	Spring	6700 0491 00	1
50	Plug	6700 0492 00	1
51	Pin	6700 0595 00	1
52	Pin	6700 0558 00	1
53	Spring	6700 0564 00	1
54	Spring	6700 0737 00	1
55	Ball	6700 1414 00	1
56	Valve Seat	6700 0736 00	1
57	Valve Housing	6700 0495 81	1
58	Valve Body	6700 0713 80	1
59	O-Ring	6700 2112 00	2
60	Preassure Spring	6700 0497 00	1
61	O-Ring	6700 2122 00	1
62	Plug	6700 0714 00	1
63	Water Strainer	6700 0501 00	1
64	O-Ring	6700 2125 00	2
65	Adapter	6700 0716 00	1
66	Packing	6700 9653 00	1

Sl.	Description	Part No.	Quan.
67	Adapter	6700 0857 00	1
68	Inlet Nipple For Water	6700 0854 00	1
69	Tubular Pin	6700 1298 00	1
70	O-Ring	6700 6129 00	2
71	Flushing Tube Bushing	6700 0731 00	1
72	O-Ring	6700 2132 00	1
73	Lever	6700 0557 00	1
74	O-Ring	6700 2122 00	1
75	O-Ring	6700 9184 00	1
76	Plug	6700 0585 00	1
77	Valve	6700 0726 80	1
78	Valve Liner	6700 0726 81	1
79	O-Ring	6700 2124 00	4
80	Spring	6700 0725 00	1
81	Washer	6700 0724 00	1
82	Valve Pin	6700 0675 00	1
83	Water Flushing Tube	6700 0390 00	1
84	Side Bolt	6700 0179 00	2
85	Handle	6700 0674 00	1
86	Air Flushing Tube	6700 0590 00	1
87	Rubber Gasket	6700 0121 00	1
88	Rubber Gasket	6700 9646 00	1
89	Guide Ring	6700 0776 00	1
90	Liner For Back Head	6700 0597 80	1
91	Liner For Back Head	6700 0597 81	1
92	Cap For Cylinder	6700 0680 80	1
93	Cap For Cylinder	6700 0680 81	1

RELIABILITY UNPARALLELED POWER UNMATCHED



C00017 © copyright 2013, xx Mindrill Systems & Solutions Pvt.Ltd. This catalogue is the exclusive property of MINDRILL and cannot be copied or reproduced without written permission.