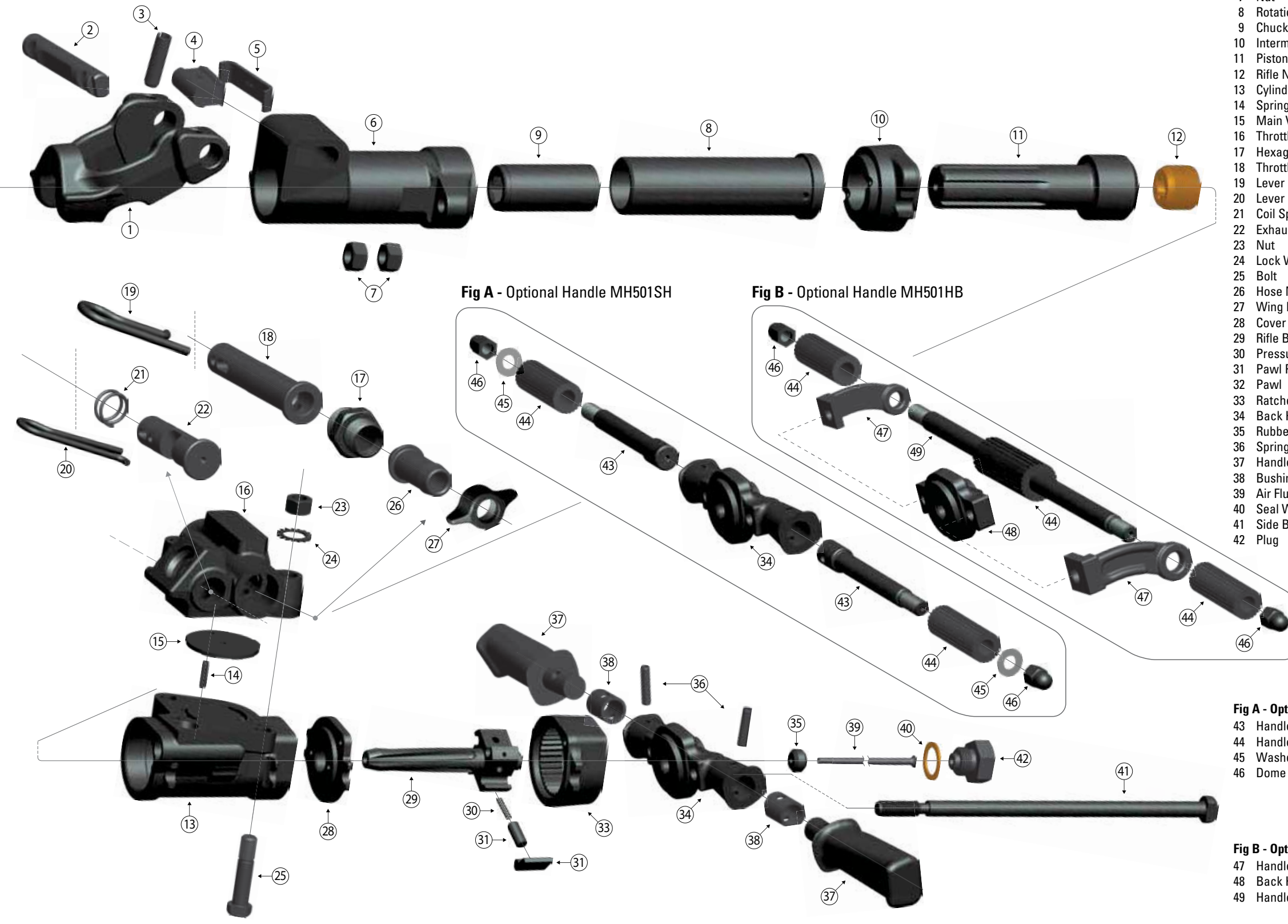


MINDRILL MH501L Rock Drill



Sl.	Description	Part No.	Ref Part No.	Qty.	Descrição
1	Drill Steel Retainer	01 00 0851	3121 0851 00	1	Segurador
2	Retainer Pin	02 00 0852	3121 0852 00	1	Pino Do Segurador
3	Tension Pin	03 00 3392	0108 3392 00	2	Pino T
4	Rubber Buffer	04 00 0030	3121 0030 00	1	Amortecedor
5	Buffer Plate	05 00 0029	3121 0029 00	1	Mola Prato
6	Front Head	06 00 0141	3111 0141 00	1	Cabeçote Inferior
7	Nut	07 00 1208	0266 1208 00	4	Porca
8	Rotation Chuck	08 00 0185	3111 0185 00	1	Mandril
9	Chuck Bushing	09 00 0186	3111 0186 00	1	Bucha Sextavada
10	Intermediate Part	10 00 0143	3111 0143 00	1	Intermediária
11	Piston	11 00 0162	3111 0162 00	1	Pistão
12	Rifle Nut	11 00 9299	3100 9299 08	1	Porca De Rotação
13	Cylinder	13 00 0825	3106 0825 00	1	Cilindro
14	Spring Pin	14 00 1238	0108 1238 00	1	Primavera Pin
15	Main Valve	15 00 1586	3101 1586 01	1	Válvula
16	Throttle Housing	16 00 1163	3115 1163 00	1	Alojamiento De La Válvula
17	Hexagon Nipple	17 00 0345	9000 0345 00	1	Casquilho
18	Throttle Valve	18 00 1190	3115 1190 00	1	Válvula De Borboleta
19	Lever	19 00 1191	3115 1191 00	1	Alavanca
20	Lever	20 00 3664	3101 3664 00	1	Alavanca
21	Coil Spring	21 00 3957	3001 3957 01	1	Mola
22	Exhaust Valve	22 00 4988	3101 4988 00	1	Válvula De Escape
23	Nut	23 00 1345	3000 1345 00	2	Porca
24	Lock Washer	24 00 3139	0333 3139 00	2	Anel
25	Bolt	25 00 0194	3100 0194 06	2	Parafuso
26	Hose Nipple	26 00 1543	3115 1543 00	1	Bocal Da Mangueira
27	Wing Nut	27 00 0338	9000 0338 00	1	Porca
28	Cover	28 00 6827	3106 0827 00	1	Tampa De Válvula
29	Rifle Bar	29 00 0145	3111 0145 00	1	Eixo De Catraca
30	Pressure Spring	30 00 9140	3100 9140 02	4	Mola
31	Pawl Pin	31 00 9641	3100 9641 01	4	Pino
32	Pawl	32 00 3159	3101 3159 00	4	Lingueta
33	Ratchet Ring	33 00 1167	3115 1167 00	1	Anel De Catraca
34	Back Head	34 00 1166	3115 1166 00	1	Cabeçote Superior
35	Rubber Packing	35 00 0121	3000 0121 00	1	Embalaje De Goma
36	Spring Pin	36 00 1360	0108 1360 00	2	Primavera Pin
37	Handle Complete	37 00 0569	3310 0569 80	2	Manusear
38	Bushing	38 00 0572	3310 0572 00	1	Busing
39	Air Flushing Tube	39 00 0140	3111 0140 00	1	Tubo De Ar
40	Seal Washer	40 00 9341	3100 9341 00	1	Tubo De Descarga Do Ar
41	Side Bolt	41 00 0144	3111 0144 00	2	Perno Side
42	Plug	42 00 0120	3100 0120 00	1	Plugue

Fig A - Optional Handle MH501SH

Fig B - Optional Handle MH501HB

Fig A - Optional Handle MH501SH

43	Handle	5010 0569 00 B2	3310 0569 80 B2	2	Punho
44	Handle Grip	4210 1372 00		3	Punho De Borracha
45	Washer	4300 0191 01		2	Anilha
46	Dome Nut	0600 0292 00		2	Porca

Fig B - Optional Handle MH501HB

47	Handle Bracket	0000 0344 45		2	Do Suporte
48	Back Head B	5010 1166 B1		1	Cabeçote Superior
49	Handle Bolt	5400 0360		2	Lidar Com Parafuso