

MINDRILL Pneumatic Drill Rig  
**MC1030 Crawler Drill**



[www.mindrill.com](http://www.mindrill.com)

**The small genius**

Hole Range Down-The-Hole Version: 105-115 mm

Hole Range Top Hammer Version: 48-64 mm

RELIABILITY UNPARALLELED POWER UNMATCHED



## The small genius

- 1 Proven pneumatic drill rig with great performance
- 2 Trusted and lesser maintenance
- 3 Compact in size and easy mechanical pneumatic control system

### Capacity:

#### DTH Drilling

105 - 115mm (4 1/8"-4 1/2") dia hole with 5 h.p air motor piston driven rotary head of adequate torque while drilling in difficult formation.

#### Drifter Drilling:

48 - 64mm (1-7/8") dia hole with model MDS120F pneumatic drifter.

### Powerful Rotation

The drill has a reliable and proven Rotary Head. This powerful Rotary Head provides adequate torque while drilling in difficult formations.

### Powerful Feed

The powerful feed systems helps in retrieving drill string from the most broken ground and enhances penetration and productivity.



### Simple Design

The light weight drill is easily maintained and operated.



## MC1030 is made for construction, quarrying and open pit mining.

### The main components are:

- Strong Construction
- Heavier feed chain
- Fast drilling capabilities
- Structural designed for extra rigidity
- Versatility-Option of Down-The-Hole and Top Hammer
- Centralized controls with auto-feed arrangement ensure easy operation and reduction of operators fatigue.
- Boom is provided with a heavy-duty lift and swing cylinders to provide rigidity while drilling.
- Heavy-Duty radial piston type Air Propelling Motor with self breaking arrangement.
- Pneumatic-operated hydraulic power pack for hydraulic cylinders
- Air -powered traction motors with gear and chain drive
- Track chain with 204 mm track shoes
- De-clutching crawler drive mechanism
- Air-operated chain feed for 3000mm (10ft) drill tubes
- Manual drill steel support
- Feed extension
- Feed repining for toe hole drilling
- Extra air outlet for cleaning or running air tools

**TECHNICAL SPECIFICATIONS**

Carrier		
Tramming speed	3.2 km/h	2mph
Traction force	17 kN	3821 lbf
Track oscilation	±20°	
Ground clearance	225 mm	8.9"
Hill climbing ability	30° max (W/O compressor)	
Steel Feed		
Pneumatic -driven chain feed		
Feed extension	750 mm	29.4"
Feed rate, max	0.3 m/s	59 ft/min
Feed force, max	21 kN	4720 lbf
Tractive pull, max	15 kN	3372 lbf
Total length	5130 mm	202"
Travel length	3565 mm	104.4"
Volumes		
Hydraulic oil tank	22 l	5.8 us gal
Hydraulic system, total	22 l	5.8 us gal
Traction gear	2 l	0.53 us gal
Lubrication tank (HECL)	7.6 l	2 us gal

**TRANSPORT DIMENSIONS**

Height and length		
Tramming Position		
Height	1720 mm	68"
Length	5120 mm	201 1/2"
Transportation Position		
Height	2325 mm	91 1/2"
Length	5120 mm	201 1/2"
Width	1940 mm	76 1/2"

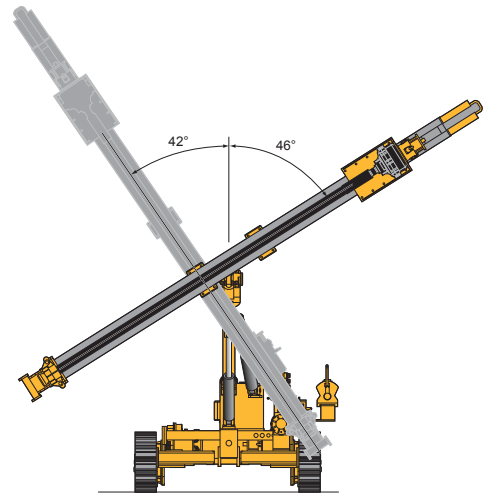
**WEIGHT**

Standard unit excluding all options and drill steel	
2690 kg	5930 lb

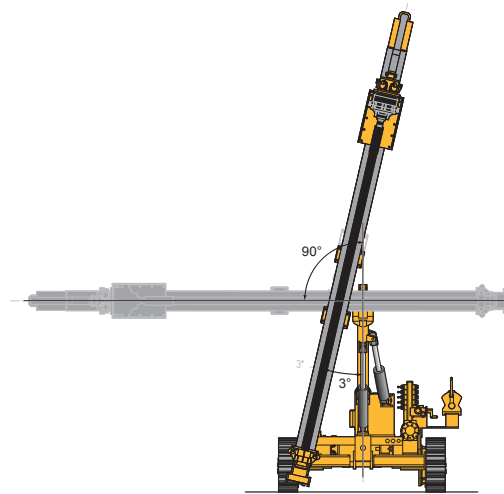
**HOLE RANGE**

Pipe size		Recommended hole range	
76 mm	3"	102-115 mm	4" - 4 1/2"

**FEED SWING ANGLES**

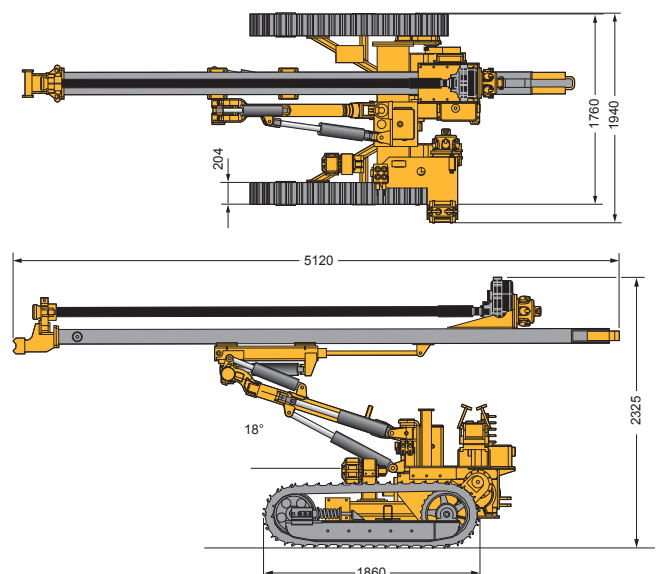


Factory setup - right swing



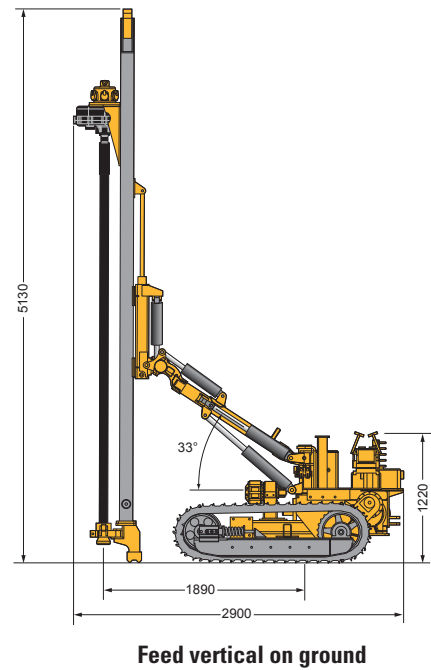
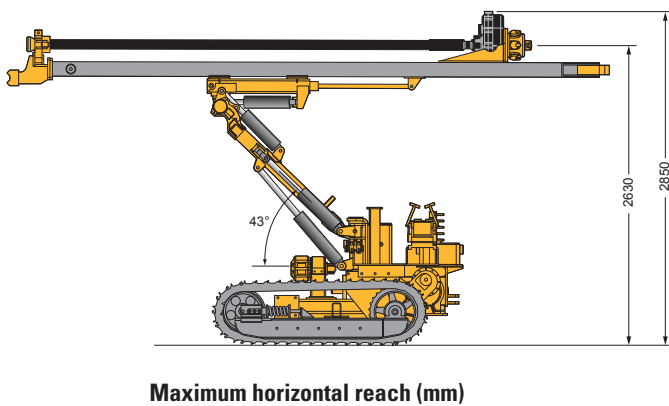
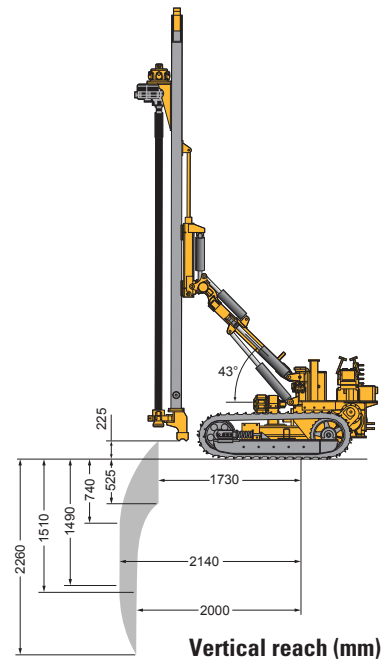
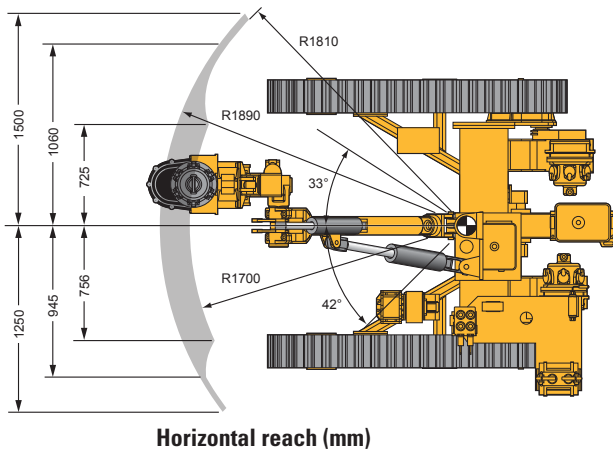
Factory setup - full swing

**TRANSPORT DIMENSIONS**





### DRILL COVERAGE AREAS



### Mindrill Systems & Solutions Pvt. Ltd.

Sadananda Industrial Estate | Howrah Amta Road  
P.O. Baltikuri | Howrah - 711 113

Phone: +91-33-26537610, 26538638  
Sales: +91-33-65366838, +91-9830300946  
Fax: +91-33-2653 4214  
Email: marketing@mindrill.com  
Website: www.mindrill.com

Distributed By:

