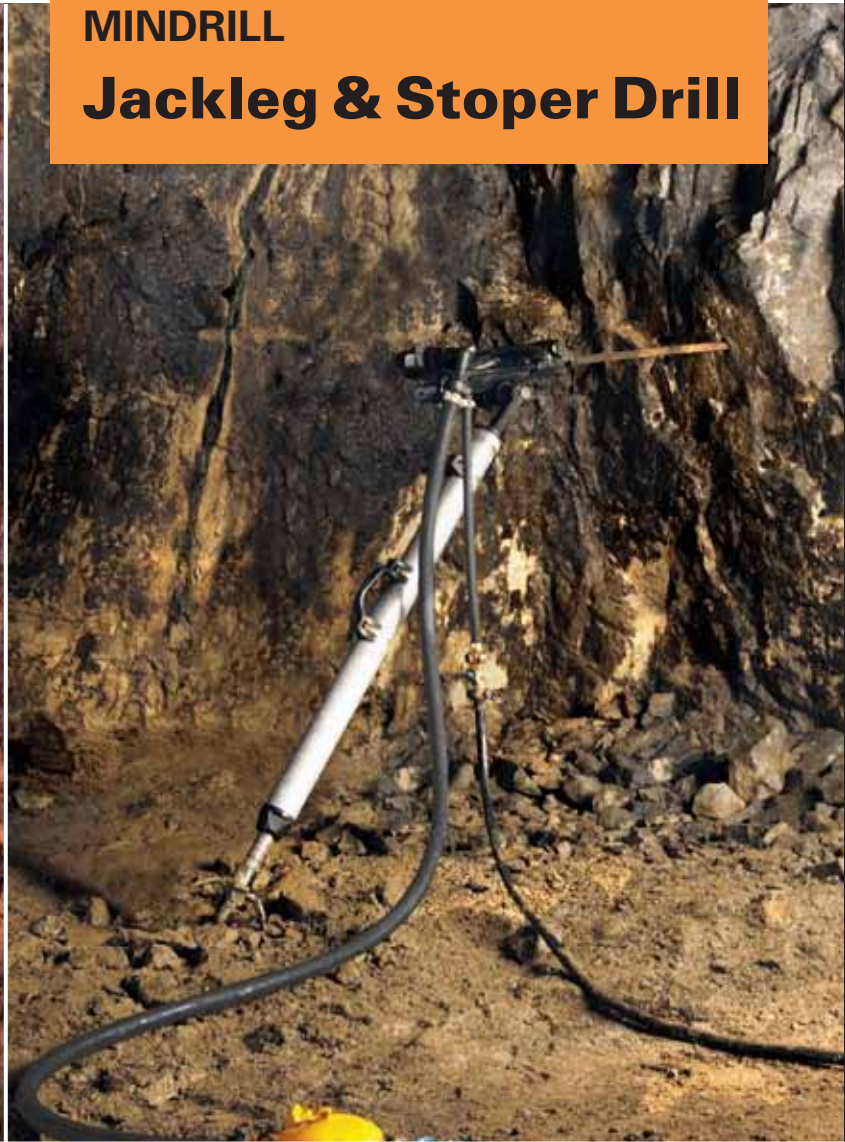


MINDRILL

Jackleg & Stoper Drill



www.mindrill.com

Jackleg & Stoper drills for soft to hard rock

Short stroke and fast blow rate makes it perfect for soft rock

Ratchet wheel rotation mechanism

RELIABILITY UNPARALLELED POWER UNMATCHED



Jackleg Drills

M610

- Low weight and powerful
- Low air consumption
- Noise reducing muffler
- Sustained high penetration to the bottom of the hole
- Highly suitable to install mechanical rock bolt
- Spring retainer to keep weight to minimum
- Efficient lubrication
- Suitable for narrow vein stopping operation
- Low maintenance
- Can be used as sinker with optional T handle



M610

M630

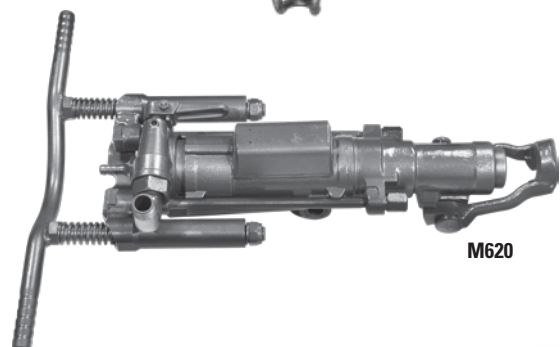
- Hard hitting powerful machine
- Noise reducing muffler
- Capable for stopping, developing and shaft sinking applications
- Versatile to mount on rigs for roof bolting and dimensional stone quarry applications
- Spring retainer to keep weight to a minimum
- Efficient lubrication
- Low maintenance



M630

M620

- Balanced to provide driller smooth operation
- Leg mounted motorcycle control for quick leg action
- Automatically regulated water pressure
- Sustained high penetration to the bottom of the hole.
- Sure-lock steel puller mounted on front end
- Spring loaded handle reduce transmission of vibration.
- Spring loaded handle eliminates operator fatigue.



M620

M670

- Strong rifle bar rotation mechanism
- Long stroke faster drilling rate
- Control of pusher leg is placed at back head of the jackleg drill
- Suitable for maximum drilling application in medium to hard rock



M670

Model	Weight		Length		Air Consumption		Piston Dia		Stroke Length		Shank Size		Working Pressure		Blows Per Minute
	Kg	lb	mm	inch	l/s	cfm	mm	inch	mm	inch	mm	inch	Bar	psi	
M670	28.5	63	705	7 ¾"	69	146	70	2 ¾"	55	2 ¾"	22 x 108	7/8 x 4 ¼"	6	87	2340
M680	28	62	670	26 3/8"	97	206	90	3 17/32"	45	1 3/4"	22 x 108	7/8 x 4 ¼"	6	87	3300
MH504W	25	55	658	25 29/32"	48	102	65	2 17/32"	59	2 5/16"	22 x 108	7/8 x 4 ¼"	6	87	2040
M610	22	48.5	460	18"	55	116	68	2.67"	55	2.15"	22 x 108	7/8 x 4 ¼"	5	72	2175
M630	31	23	584	23"	88	186.5	79	3.11"	70	2.75"	22 x 108	7/8 x 4 ¼"	5	72	2000
M640	32.4	72	655	27 ¼"	52	110	76	3"	64	2.5"	22 x 108	7/8 x 4 ¼"	7	90	2200
M620	44	97	600	23"	56	117	68	2.67"	55	2.15"	22 x 108	7/8 x 4 ¼"	5	72	2175

M680

- Highly efficient drill for soft to hard rock
- Short stroke and fast blow rate makes it perfect for soft rock
- Ratchet wheel rotation mechanism
- Diameter of piston is large to make this dill highly efficient even at low air pressure
- Control of pusher leg is given to pusher leg



M680

MH504W

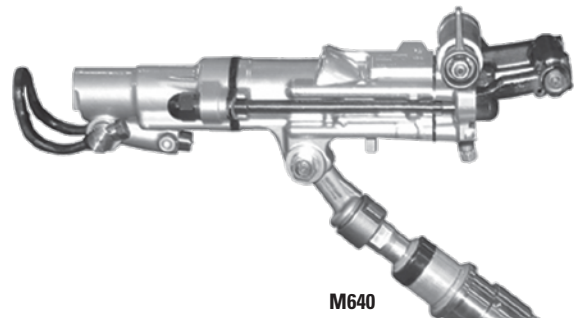
- This drill is ideal for soft to medium hard rock
- Good ratio between low air consumption and faster drilling
- Owing to lesser weight it is also used as sinker drill with T handle
- Strong rifle bar rotation mechanism



MH504W

M640

- Most popular drill in the U.S.A and Mexico
- High penetration rate
- Precision manufactured parts that run better and wear down slower
- Available in telescopic and power retractable models
- Available in either a 7/8" or 1" chuck size
- Can easily be converted to a powerful sinker drill



M640



M720

Stoper Drills

M720

- Perfect for production, raise driving and bolting in soft to medium hard rock
- Short stroke, faster drilling rate
- Diameter of piston is large to make this dill highly efficient even at low air pressure
- Ratchet wheel rotation mechanism

Model	Weight		Length retracted		Length extracted		Rock Drill Piston Bore		Air Consumption		Stroke Length		Feed Piston Bore
	Kg	lb	mm	inch	mm	inch	mm	inch	l/s	cfm	mm	inch	
M720	39	86	1435	56"	2205	87"	75	3"	75	159	45	3"	75

Pusher Legs

MMT51

- Simple and rigid design for trusted operation and low maintenance
- Easy to connect
- Double acting push out and pull back in
- For high feed force it has a large piston diameter

MMK62S

- Strong pusher leg for small application
- Easy to connect
- Feed control pusher leg

MLF72D

- Simple and rigid design for trusted operation and low maintenance
- Easy to connect
- Double acting push out and pull back in
- For high feed force it has a large piston diameter

MUL2B

- Telescopic Feed Leg is capable up to 562 lbs. of force
- Compatible with our MH 83F Jackleg drills
- It is available in several sizes up to 72" (125" fully extended)
- Feed Leg also features an adjustable handle



Model	Weight	Length Retarcted	Length Extracted	Piston Bore	Feeding Length	Suitable for Rock Drill
	Kg	mm	mm	mm	mm	Model
MMK62S	17	1815	3315	65	1300	MH 656W
MMT51	15	1658	2958	60	1300	MH 16W
MLF72D	19	1970	3270	70	1300	MH 94W

Mindrill Systems & Solutions Pvt. Ltd.

Sadananda Industrial Estate | Howrah Amta Road
P.O-Baltikuri | Howrah - 711 113

Phone +91-33-26537610, 26538638
Sales: +91-33-65366838, +91-9830300946
Fax: +91-33-2653 4214
Email: marketing@mindrill.com
Website: www.mindrill.com

Distributed By:

