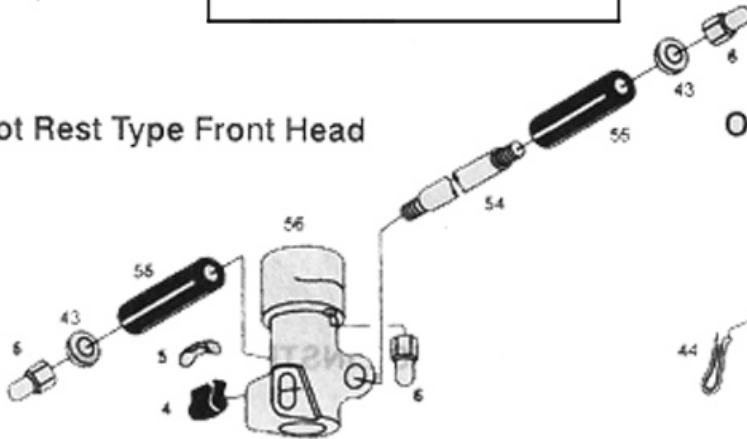


Foot Rest Type Front Head



Outlet Value (modified)



SL.	PART NO.	DESCRIPTION	QTY.
1	01 00 0851	Drill Steel Retainer	1
2	02 00 0852	Retainer Pin	1
3	03 00 3392	Tension Pin	2
4	04 000030	Rubber Buffer	1
5	05 00 0029	Buffer Plate	1
6	06 00 0292	Dome Nut	4
7	07 00 0342	Front Head	1
8	08 00 0769	Rotation Chuck	1
9	09000023	Chuck Bushing	1
10	10001221	Chuck Nut	1
11	11000339	Intermediate Part	1
12	12008478	Piston	1
13	13009299 05	Rifle Nut	1
14	14000337	Cylinder	1
15	15000338	Spring Outlet Valve	1
16	16009949	Outlet Valve	1
17	17009950	Outlet Valve Lever	1
18	18008734	Conical Nut	2
19	19008683	Guide Disc.	1
20	20008682	Ratchet Box	1
21	2100714631	Elastic Pin for Ratchet Box	1
22	22003154	Rifle Bar	1
23	2300914002	Pressure Spring	4
24	2400964101	Plunger	4
25	25003159	Pawl	4
26	26009665	Guide Pin for Valve Cover	1
27	27008680	Cover	1
28	2800989401	Bushing	1
29	29008681	Main Valve	1
30	30000569	Back Head	1
31	31000349	Throttle Valve	1
32	32001045	Washer	1
33	33000345	Adopter	1
34	34001170	Hose Nipple	1

SL.	PART NO.	DESCRIPTION	QTY.
35	35000333	Coupling Nut	1
36	36000329	T-Pin	1
37	37000136	Coil Spring	1
38	38000332	Lock Washer	1
39	39002128	O Ring	1
40	40000573	Throttle Lever	1
41	41001778	Outlet Valve (Modified)	1
42	42001372	Handle Grip	2
43	43000119 01	Washer for Handle Bolt	2
44	44001779	Lever for Extra Blowing (Modified)	1
45	45000343	Side Bolt	2
46	46003330	Elastic Pin for Outlet valve	1
47	47000574	Washer	2
48	48000352	Air Flushing Tube	1
49	49000336	Packing	1
50	5000934102	Sealing Washer	1
51	5100962301	Adopter / reducer	1
52	52004146	Sealing Washer	1
53	5300964301	Protective Nut	1
54	54000360	Handle Bolt	1