



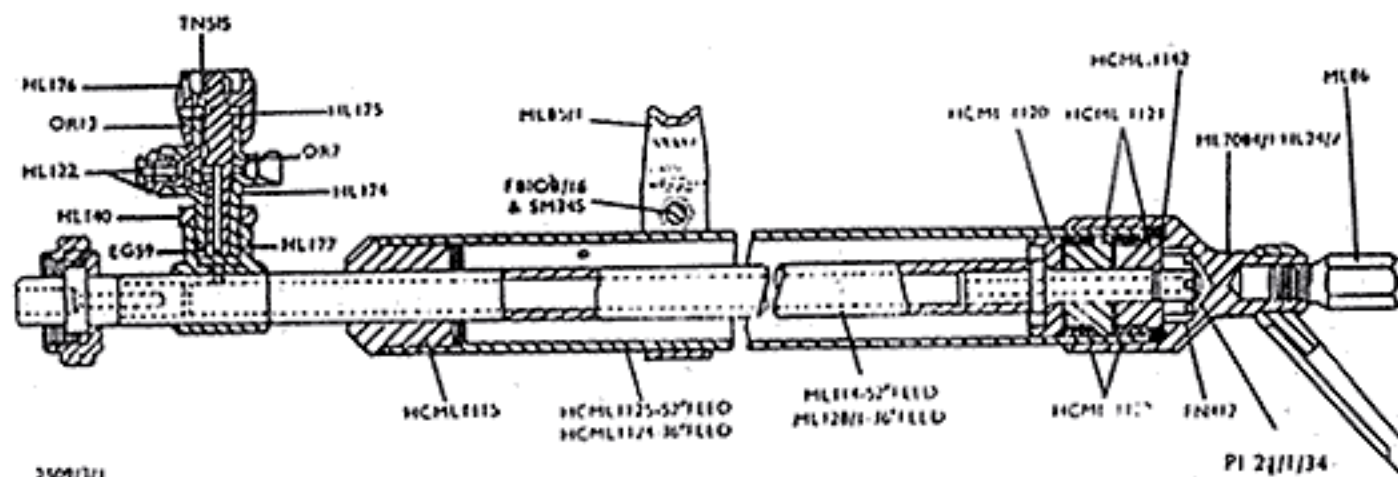
Holman-Climax

UNIFIED AIRLEG FOR ALL PRESSURES

ALL STEEL

2 1/4" BORE, 36" & 52" FEEDS

(STANDARD SCREWED SWIVEL HEAD TYPE)



2509/3/11

PI 2 1/2' / 1/34

PARTS LIST NO. A2025D/57

Compressing the following parts :-

Part Number	Qty.	Description	Part Number	Qty.	Description
ML128/1	1	Piston Rod Complete 36" Feed	ML128/1	1	Piston Rod Complete 36" Feed
HCML1115	1	Cylinder Guide Cap	HCML 1142	1	Cylinder End Cap O'Ring
HCML1124	1	Feed Cylinder 36" feed(steel)	CONTROL VALVE ASSEMBLY Compressing the following parts :-		
HCML1125	1	Feed Cylinder 52" feed(steel)	Part Number	Qty.	Description
ML 7084/1 HL24/2	1	Cylinder End Cap Complete with Sprang	HL 174	1	Control Valve Body
ML85	1	Carrying Handle	HL175	1	Control Valve Tumbler
FB 108/16	1	Carrying Handle Bolt Comp. with SM34S 'Nylac' Nut	HL176	1	Control Valve Handle
ML86	1	Spike	TN 51S	1	Control Valve Tumbler Nut
HCML 1120	1	Front Packing Washer	HL 122	1	Push Button Complete
HCML 1121	2	Rear Packing Washer	HL 140	1	Control Valve Lock Nut
HCML 1122	2	Piston Packing Leather	HL 177	1	Control Valve Tumbler Washer
FN 412	1	Piston Rod Nut	EG 59	1	Control Valve Tumbler Circlip
PI 2 1/2' / 1/34	1	Piston Rod Split Pin	OR 13	1	Control Valve Handle Sealing Ring
ML114	1	Piston Rod Complete 52" Feed	OR 7	1	Control Valve Tumbler Packing

Note : All parts in this list are manufactured by MDS. Original manufacturer's names, nos. and description are used for reference purpose and customer's convenience and it is not intended to imply "Genuin OEM Parts"

MACHINE MOUNTS FOR VARIOUS HANDRILS

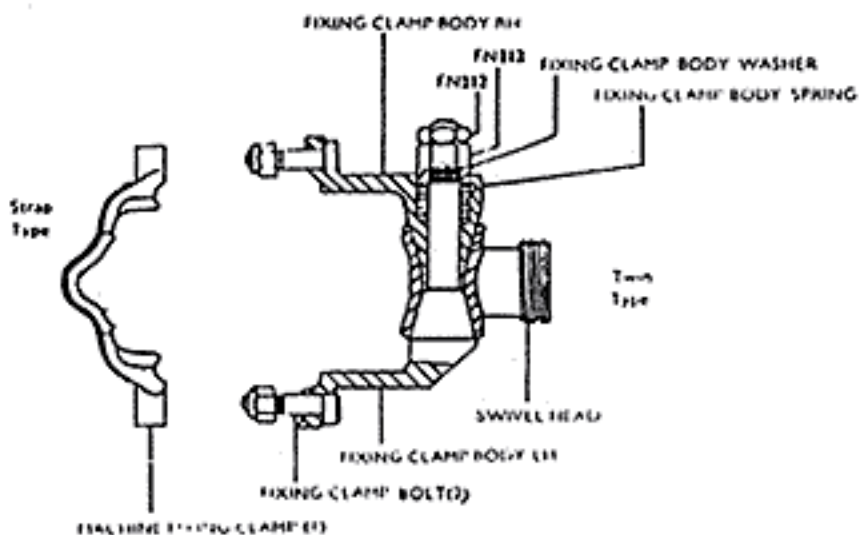
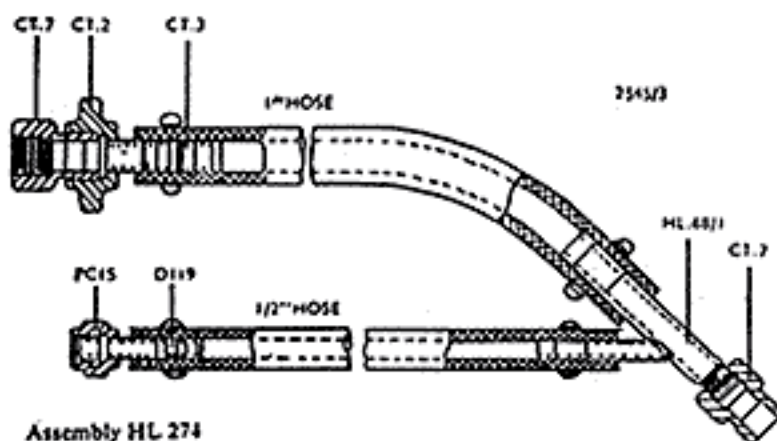


FIGURE 11-170 CLAMP (3)

MACHINE MOUNTS		
Compressing the following parts : -		
Part Number	Qty.	Description
HL7251	1	Fixing Clamp Body LH
HL252	1	Fixing Clamp Body RH
HL5	1	Fixing Clamp Body Washer
HL6	1	Fixing Clamp Body Spring
HL253	1	Machining Fixing Clamp
FB108/15 SM34S	1	Fixing Clamp Bolt and Nut
HL96/1	1	Swivel Head
FN112	2	Nut
FN212	2	Lock Nut

AIR HOSE CONNECTIONS



Assembly HL 274

AIR HOSE CONNECTIONS		
Compressing the following parts : -		
Part Number	Qty.	Description
CT7	2	Machine Inlet Spud
CT2	1	Spud Nut
CT3	1	Hose Stem
2' 6" OF 1"	1	Machine Hose 1"
2' 6" OF 1/2"	1	Airleg Hose 1/2"
HL68/1	1	Y Connection
D119/PC15	1	Airleg Hose Stem and Nut
PA-138-1"	2	Hose Clamp 1"
P-138-1/2"	2	Hose Clamp 1/2"

Note : All parts in this list are manufactured by MDS. Original manufacturer's names, nos. and description are used for reference purpose and customer's convenience and it is not intended to imply "Genuine OEM Parts"