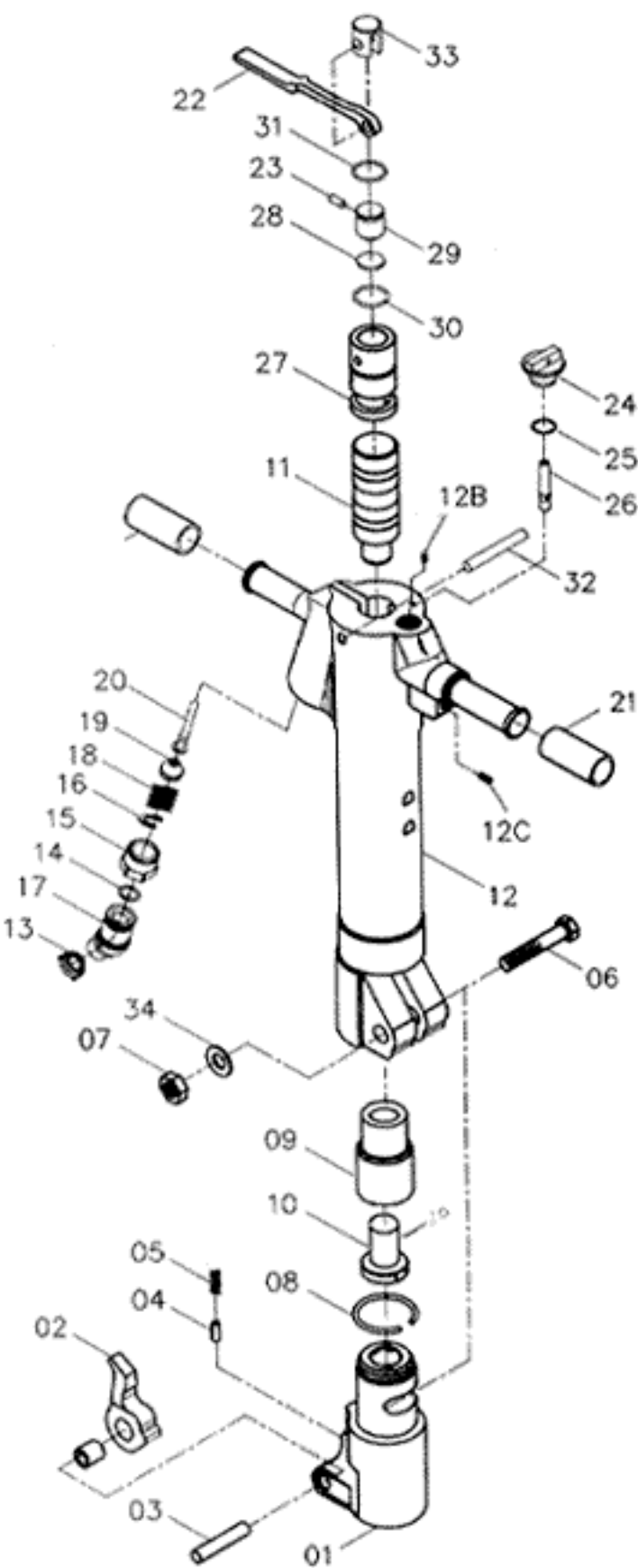


**REPLACEMENT SPARE PARTS SUITABLE FOR  
TEX 37P PNEUMATIC BREAKER**



Sl.	Part Number	Part Name	Qty.
01	01 00 3310 1040	Front Head	01
02	02 80 3310 0889	Retainer Complete	01
-	02 00 3310 0889	Retainer	01
-	02 00 3310 0892	Bush	01
03	03 06 0108 1691	Connex Pin	01
04	04 00 3310 0893	Plunger	01
05	05 00 3310 0894	Spring	01
06	06 43 0147 1962	Bolt	01
07	07 00 0291 1116	Nut	01
08	08 00 3310 1053	Lock Ring	01
09	09 00 3310 1049	Intermediate Part	01
10	10 00 3310 1203	Anvil	01
11	11 00 3310 1199	Piston	01
12	12 00 3310 1209	Cylinder Complete	01
-	12 01 3310 1029	Cylinder	01
12B	12 00 0686 6128	Plug	02
12C	12 00 0686 6103	Plug	02
13	13 00 9000 0306	Claw Coupling	01
14	14 00 0663 2126	O ring	01
15	15 00 3310 1044	Swivel Nut	01
16	16 00 3310 1059	Lock Washer	01
17	17 00 3310 1218	Swivel	01
18	18 00 3310 1216	Spring	01
19	19 00 3310 1211	Inlet Valve	01
20	20 00 3310 1210	Valve Stem	01
21	21 00 3310 1217	Sleeve	02
22	22 00 3310 1215	Trigger	01
23	23 54 0101 1951	Lock Pin	01
24	24 00 3310 1212	Oil Plug	01
25	25 00 0663 2129	O ring	01
26	26 00 3310 1172	Dosing Feeder	01
27	27 00 3310 1213	Valve Body	01
28	28 00 3310 1222	Main Valve	01
29	29 00 3310 1214	Valve Body Cover	01
30	30 00 0663 2135	O ring	01
31	31 00 0663 2127	O ring	01
32	32 15 0108 1691	Spring Pin	01
33	33 00 3310 1220	Cover	01
34	34 00 0301 2393	Washer	01