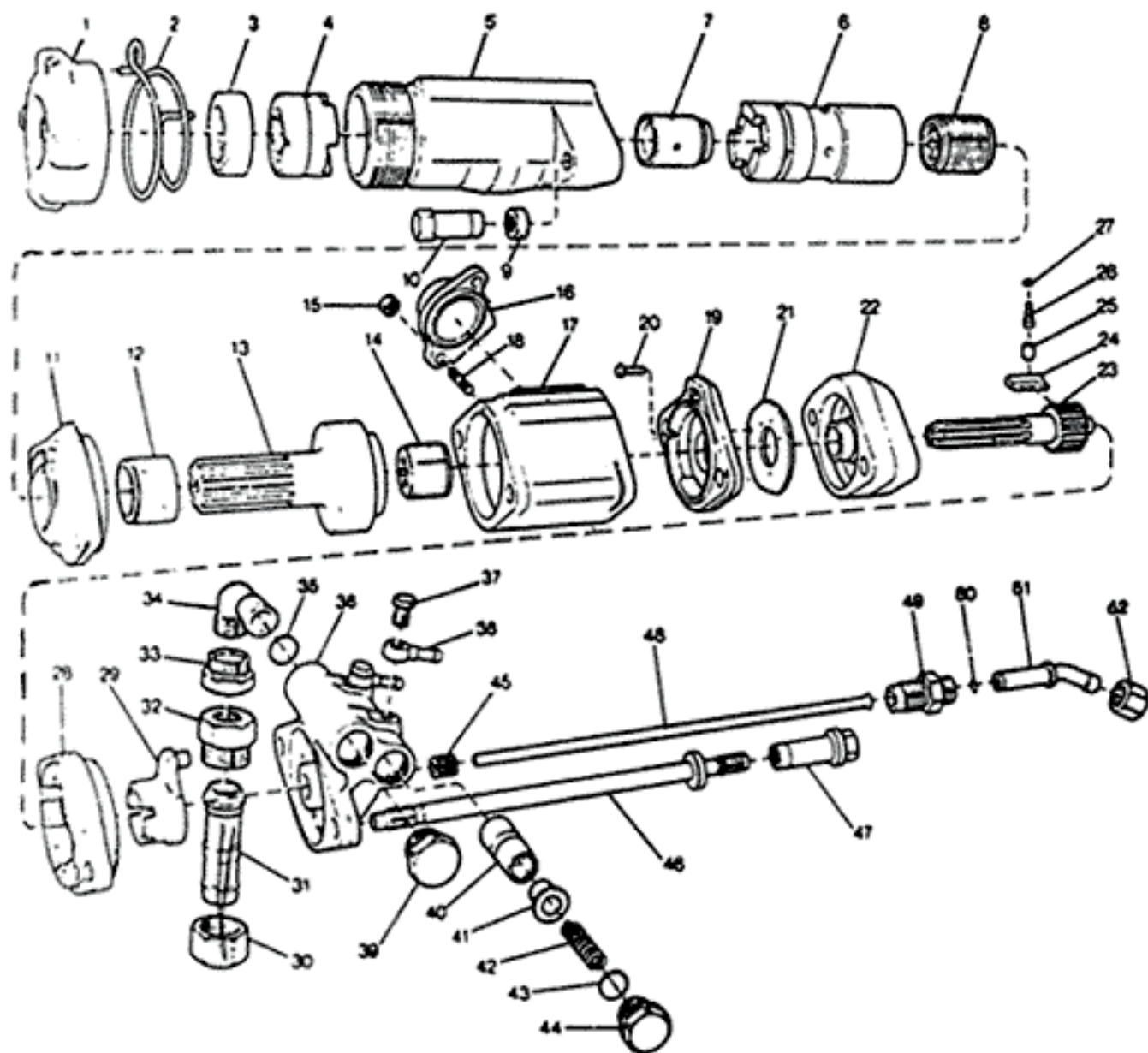


BBC 120F
BBC 120F-01
BBC 120F-02



| Ref. No. | Part Number | Qty. | Description |
|----------|--------------|------|------------------------|
| 1 | 01 3161 0230 | 1 | Cover |
| 2 | 02 3161 0993 | 1 | Lock spring |
| 3 | 03 3161 0215 | 1 | Stop Ring |
| 4 | 04 3161 0216 | 1 | Rotation Chuck |
| 5 | 05 3161 0231 | 1 | Front Head |
| 6 | 06 3161 0328 | 1 | Rotation Chuck |
| 7 | 07 3161 0218 | 1 | Rotation Chuck Bushing |
| 8 | 08 3161 0220 | 1 | Guide Nut |
| 9 | 09 3141 0072 | 2 | Nut |
| 10 | 10 3141 0071 | 2 | Nut |
| 11 | 11 3161 0819 | 1 | Intermediate Part |
| 12 | 12 3161 0235 | 1 | Bushing |
| 13 | 13 3161 0307 | 1 | Piston |
| 14 | 14 3161 0308 | 1 | Rifle Nut |
| 15 | 15 0291 1114 | 2 | Nut |
| 16 | 16 3115 0122 | 1 | Exhaust Guard |
| 17 | 17 3161 0524 | 1 | Cylinder |
| 18 | 18 3161 0468 | 2 | Shud |
| 19 | 19 3141 0087 | 1 | Cover |
| 20 | 20 3141 0088 | 1 | Guide Pin |
| 21 | 21 3161 0333 | 1 | Main Valve |
| 22 | 22 3141 0090 | 1 | Rifle Bar Bearing |
| 23 | 23 3161 0369 | 1 | Rifle Bar |
| 24 | 24 3161 0370 | 8 | Pawl |
| 25 | 25 3141 0083 | 8 | Pawl Pin |
| 26 | 26 3115 0774 | 8 | Pawl Spring |
| 27 | 27 3161 0525 | 8 | Damper |
| 28 | 28 3161 0377 | 1 | Ratchet Box |
| 29 | 29 3161 0378 | 1 | Pawl Lifting Ring |
| 30 | 30 9000 0335 | 1 | Coupling Nut |
| 31 | 31 9000 0177 | 1 | Hose Nipple |
| 32 | 32 9000 0485 | 1 | Adapter |
| 33 | 33 3000 9922 | 1 | Adapter |
| 34 | 34 3161 0070 | 1 | Inlet Nipple |
| 35 | 35 0663 2132 | 2 | O Ring |
| 36 | 36 3141 0093 | 1 | Back Head |
| 37 | 37 3161 0820 | 2 | Pressure Screw |
| 38 | 38 3161 0229 | 2 | Banjo Connection |
| 39 | 39 3161 0069 | 1 | Plug |
| 40 | 40 3141 0095 | 1 | Operating Piston |
| 41 | 41 3141 0096 | 2 | Spring Guide |
| 42 | 42 3141 0097 | 2 | Pressure Spring |
| 43 | 43 0663 2132 | 2 | O Ring |
| 44 | 44 3141 0098 | 2 | Plug |
| 45 | 45 3121 0477 | 1 | Gasket |
| 46 | 46 3141 0070 | 2 | Side Bolt |
| 47 | 47 3141 0224 | 2 | Nut |
| 48 | 48 3161 0376 | 1 | Water Flushing Tube |
| 49 | 49 3161 0821 | 1 | Adapter |
| 50 | 50 0663 2124 | 1 | O Ring |
| 51 | 51 3161 0822 | 1 | Hose Nipple |
| 52 | 52 3161 0823 | 1 | Coupling Nut |

All parts in this list are manufactured by MDS. Original manufacturer's names, nos. and description are used for reference purpose and customer's convenience and it is not intended to imply "Genuine OEM Parts"